



ADVANTAGES OF SPIRO® SYSTEM

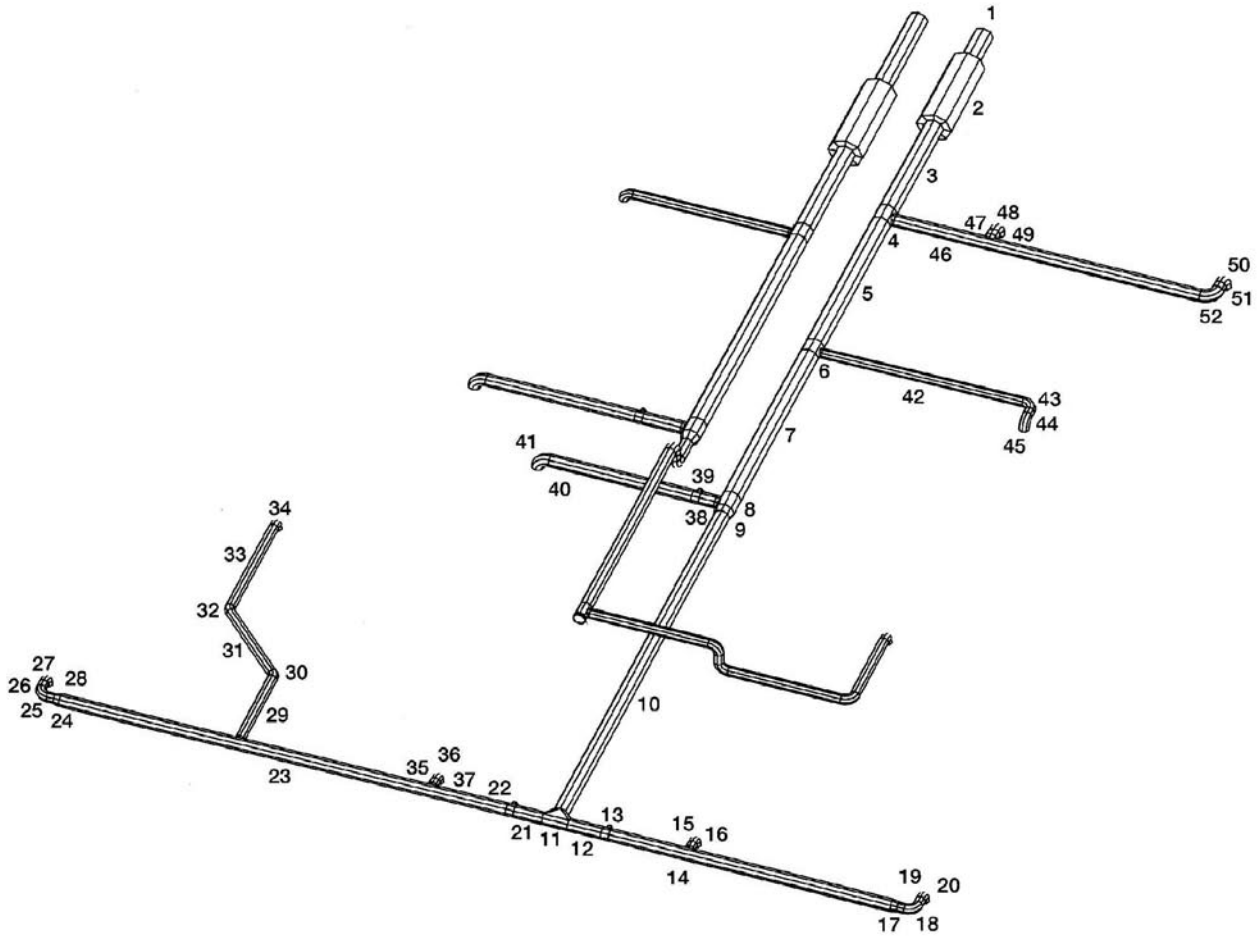


Reduce your installation costs today

SPIRO SA
Industriestrasse 173
3178 Boesingen
Switzerland
Tel. +41 31 740 31 10
Fax +41 31 740 31 41
e-mail: info@spiro.ch
Web: www.spiro.ch

Example of installation costs

Evaluate with this example of an installation, how your costs can differencate.





Partslist

Pos Nr.	Spezifikation	Type Vent	Measurements	Gross price-Vent	Type SPIRO@system	Gross price SPIRO system
1	Duct	SR-250	570	4.03	SR-250	4.03
2	Silencer	SLGL-10-250-1200		131.83	SLGL-10-250-1200	131.83
3	Duct	SR-160	1650	6.38	SR-160	6.38
4	T-piece	TCP	ø 250-160	11.93	TCPL-250-160	15.24
5	Duct	SR-250	2350	16.61	SR-250	16.61
6	T-piece	TCP	ø 125	10.16	TCPL-250-125	13.25
7	Duct	SR-250	2750	19.44	SR-250	19.44
8	T-piece	TCP	ø 250-160	11.93	TCPL-250-160	15.24
9	Reducer	RC	ø 250-200	4.64	RCPL	6.74
10	Duct	SR-200	5750	33.66	SR-200	33.66
11	T-piece	TCP	ø 200-160	10.16	TCPL-200-160	12.92
12	Duct	SR-160	430	1.66	SR-160	1.66
13	Damper	DT	ø 160	19.66	DTL	21.54
14	Duct	SR-160	3650	14.11	SR-160	14.11
15	Collar saddle	PS	ø 160-125	2.20	PSL	2.76
16	Bend	B-90	ø 125	4.19	BL-90	5.41
17	Reduction	RC	ø 160-125	2.54	RCPL	3.86
18	Bend	B-90	ø 125	4.19	BL-90	5.41
19	Male coupling	NP	ø 125	1.10	NPL	2.20
20	Bend	B-90	ø 125	4.19	BL-90	5.41
21	Duct	SR-160	370	1.43	SR-160	1.43
22	Damper	DT	ø 160	19.66	DTL	21.54
23	Duct	SR-160	5800	22.42	SR-160	22.42
24	Reduction	RC	ø 160-125	2.54	RCL	3.86
25	Bend	B-90	ø 125	4.19	BL-90	5.41
26	Male coupling	NP	ø 125	1.10	NPL	2.20
27	Bend	B-90	ø 125	4.19	BL-90	5.41
28	Collar saddle	PS	ø 160-125	2.20	PSL	2.76
29	Duct	SR-125	1150	3.81	SR-125	3.81
30	Bend	B-45	ø 125	3.20	BL-45	4.41
31	Duct	SR-125	1200	3.97	SR-125	3.97
32	Bend	B-45	ø 125	3.20	BL-45	4.41
33	Duct	SR-125	1550	5.13	SR-125	5.13
34	Bend	B-90	ø 125	4.19	BL-90	5.41
35	Collar saddle	PS	ø 160-125	2.20	PSL	2.76
36	Male coupling	NP	ø 125	1.10	NPL	2.20
37	Bend	B-90	ø 125	4.19	BL-90	5.41
38	Duct	SR-160	2000	7.73	SR-160	7.73
39	Damper	DT	ø 160	19.66	DTL	21.54
40	Duct	SR-160	1850	7.15	SR-160	7.15
41	Bend	B-90	ø 160	6.29	BL-90	7.73
42	Rohr	SR-125	2600	8.61	SR-125	8.61
43	Bend	B-90	ø 125	4.19	BL-90	5.41
44	Male coupling	NP	ø 125	1.10	NPL	2.20
45	Bend	B-90	ø 125	4.19	BL-90	5.41
46	Duct	SR-160	3950	15.27	SR-160	15.27
47	Collar saddle	PS	ø 160-160	3.20	PSL	3.97
48	Male coupling	NP	ø 160	1.16	NPL	2.54
49	Bend	B-90	ø 160	6.29	BL-90	7.73
50	Bend	B-90	ø 160	6.29	BL-90	7.73
51	Male coupling	NP	ø 160	1.16	NPL	1.16
52	Bend	B-90	ø 160	6.29	BL-90	6.29
Total EUR				501.91	550.71	

Consumption material, like hangers, screws or rivits haven't been taken into account.



Calculation of needed quantity on Sealing material

Duct Ø	Quantity of connections	Duct perimeter ² (m)	Vent	SPIRO®system
			Mastic tape 1-layer wrapped in m	
250 ¹	5	0.86	2.88	-
200	2	0.69	0.92	-
160	18	0.55	6.64	-
125	20	0.43	5.76	-
Sum	45		16.20	-

¹ Dampers only with SPIRO®system-connection.

² Duct perimeter inclusive of 10% extra for overlapping with mastic tape.

Two rolls / each 15m XSK50-V / 25.- EUR * × 2 = 50.- EUR

With 45 connections there is an additional price of 1.10 EUR per connection.

Installation

Assembling instructions	Vent	SPIRO®system
Free ducts and fittings from dirt	×	×
Material control and integrity	×	×
Ducts to be shortend to propper length	×	×
Fit ducts and fittings together	×	×
Ducts and fittings to be joint by screws/rivits	×	×
Drill hole, place anker und mount duct suspensions	×	×
Seal connection with mastic tape	×	

Assembly time extra costs for Vent

Duct Ø	Connecting pcs	Perimeter m	Wrap around min/pcs	Extra time total
250	5	0.785	4	20 min
200	2	0.628	3.5	7 min
160	18	0.503	3	54 min
125	20	0.399	2	40 min
Sum	45			121 min

Additional expenses to assemble the Vent-System. The calculations are limited only to the work on connecting parts.

Fee for a mechanic 50.- EUR/hrs Sum: 50.- EURO / hrs. × 2.016 hrs = 100.80 EUR

With 45 connections there is an additional price of 2.24 EUR per connection

* The price for the mastic tape is based on a european average purchasing cost.
This amount is only one of the key issues for influencing the calculation.

** The costs of 50.- EUR/hrs for a mechanic is based on an average figure set by european statistics.
This amount is only one of the key issues for influencing the calculation.



Total costs comparison

Rechenbeispiel

Required working processes	Vent	SPIRO®system
Material costs according to partslist	501.91	550.71
Mastic tape	49.50	
Installation-extra costs with Vent-System	100.80	
Sum Brutto EUR	652.21	550.71

Result

Difference SPIRO®system – Vent Brutto

101.50 EUR = ~15%

Your benefits when using SPIRO®system

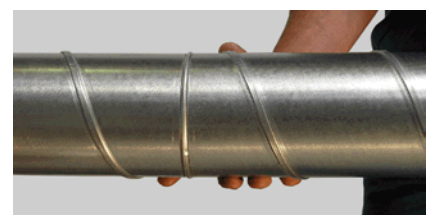
- + Fast and easy installation
 - no sealing to be done once mounted
 - no sharp edges
- + Adjustable assembling
 - Leakage proof even at none reachable point
 - Leakage guarantee with Airtightnessclass D, Eurovent 2.2 bzw. Class III, DIN 24194
 - Withstands positive/negative pressure from -5000 bis +3000 Pa
- + Aesthetic design - advantage for visible installation
 - no mastic tape
- + Can be installed in all kinds of weather
 - temperature resistant from -30 to +100°C
- + age-resistant connections: which means always leakage proof !
 - no tention on sealing lip
 - seam locked



Installation Instruction for SPIRO®system



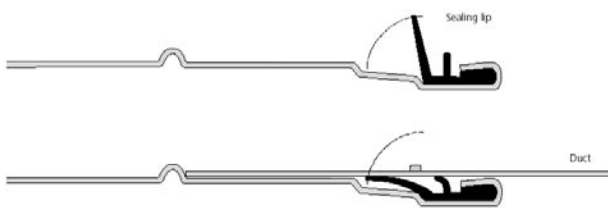
Connection between 2 ducts With male coupling (NPL) connector



SPIRO®system is an approved range of quick-fitting, spiral-seam ducts and fittings with factory-fitted sealing gaskets of EPDM rubber. The sealing gasket provides a tight and reliable joint. SPIRO®system is leakproof when fitted and does not require any additional sealing.

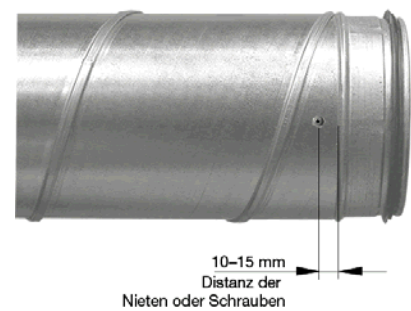
Shortening ducts

Ducts must be cut at right angles and carefully deburred.



Securing component

Distribute the screws or pop rivets evenly around the circumference, ensuring that the rubber gaskets are not damaged, i.e. placing them approx. 10 mm from the stop and end of the duct.



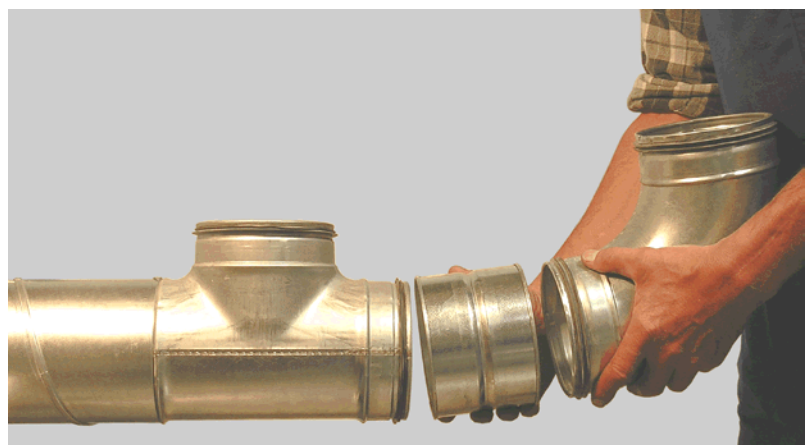
Connection between Fitting and Duct

Fittings match the spiral duct. The sealing gasket fits tightly against the tube.



Connection between 2 Fittings

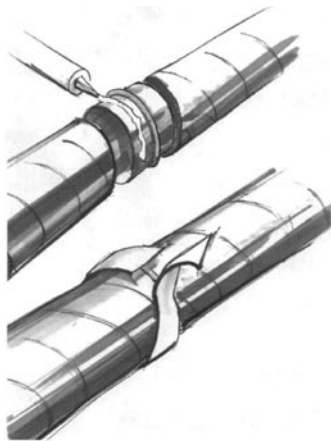
With female coupling (MF) connector.





Therefor convince yourself for the SPIRO®system

yesterday



today



SPIRO SA
Industriestrasse 173
3178 Boesingen
Switzerland
Tel. +41 31 740 31 10
Fax +41 31 740 31 41
e-mail: info@spiro.ch
Web: www.spiro.ch